



**GIK** ACOUSTICS

SOLUTIONS. INNOVATIONS. QUALITY.

ACOUSTIC PANEL  
FIXINGS INSTRUCTIONS





THANK YOU FOR YOUR  
PURCHASE - WE REALLY  
APPRECIATE IT!

The following guide should answer all your questions regarding installation of your new acoustic panel, but if you do need any further assistance please contact us:

**+44 (0) 203 815 8608**

**[customerservice.eu@gikacoustics.com](mailto:customerservice.eu@gikacoustics.com)**



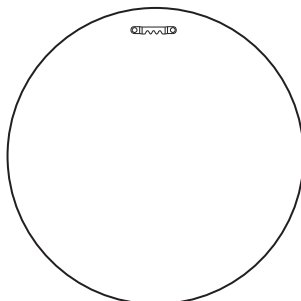
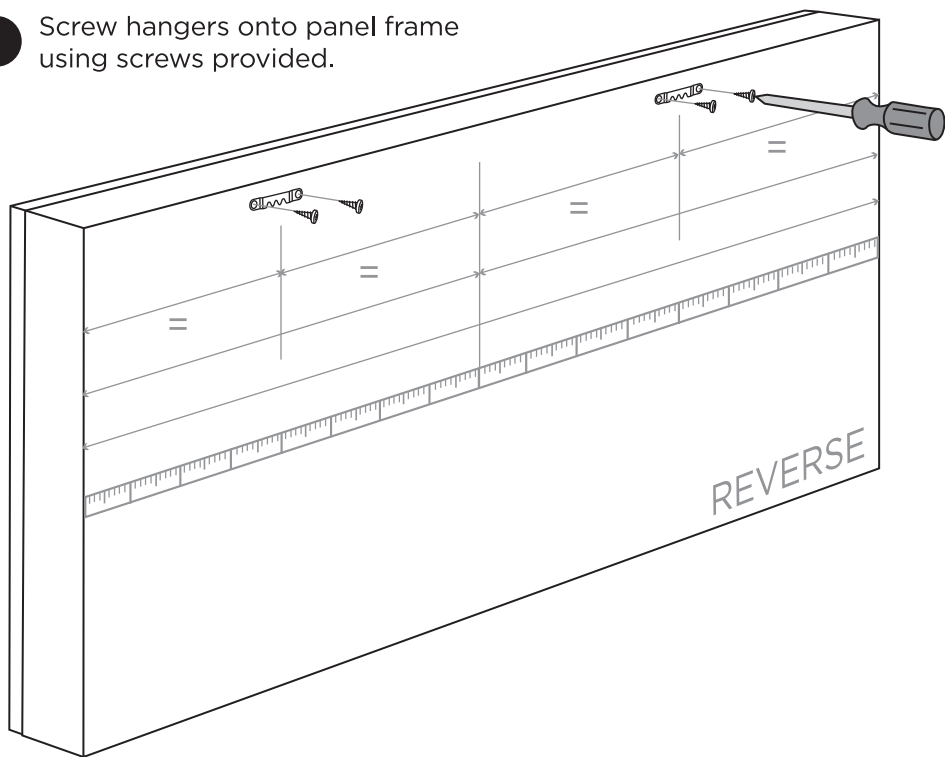
# CONTENTS

- 6** Sawtooth Hangers
- 8** French Cleats
- 10** Boom Stand Brackets
- 12** Ceiling Cloud Brackets
- 14** Wooden Legs Stand
- 16** Portable Isolation Booth
- 18** Vocal Isolation (VISO) Booth
- 20** Sound Block - Wall Mounted
- 22** Sound Block - Freestanding
- 24** Picture Wire & Hooks
- 25** Soffit Keyholes
- 26** Freestanding Panel Feet

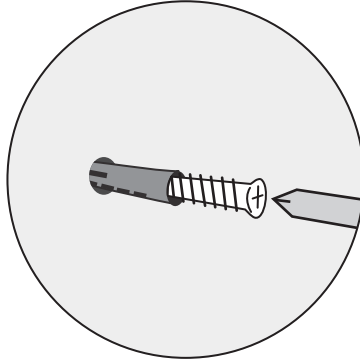
# SAWTOOTH HANGERS



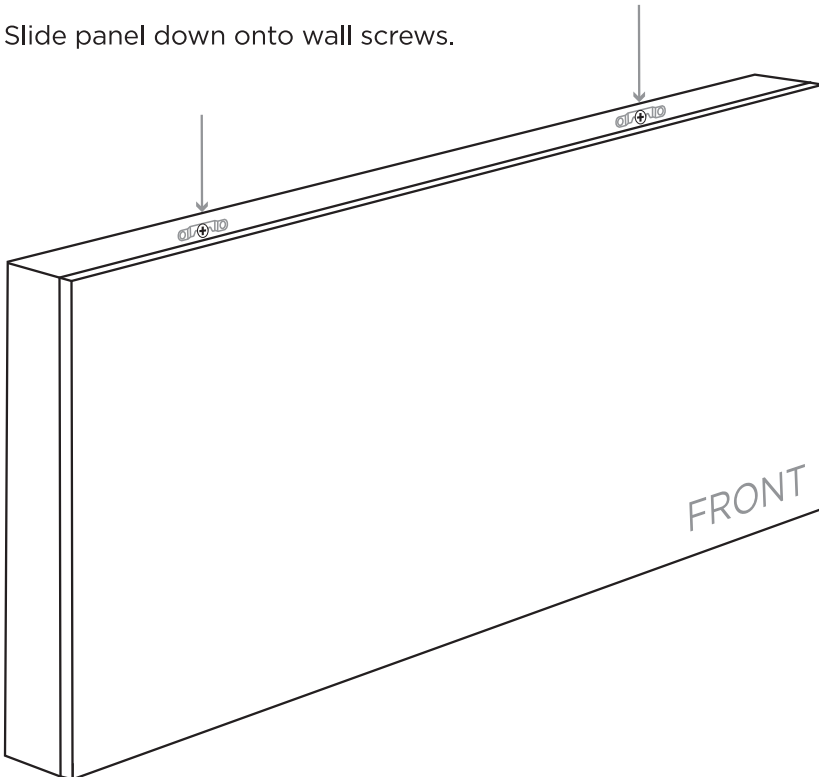
- 1 Screw hangers onto panel frame using screws provided.



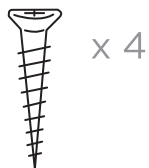
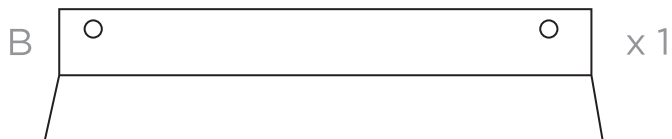
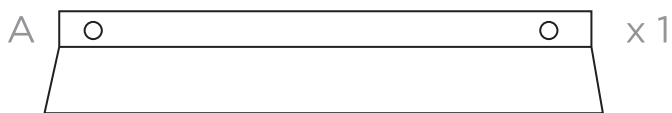
- 2** Drill holes in wall correct distance apart from centre of each sawtooth hanger. Ensure correct plugs and screws are used for wall type.



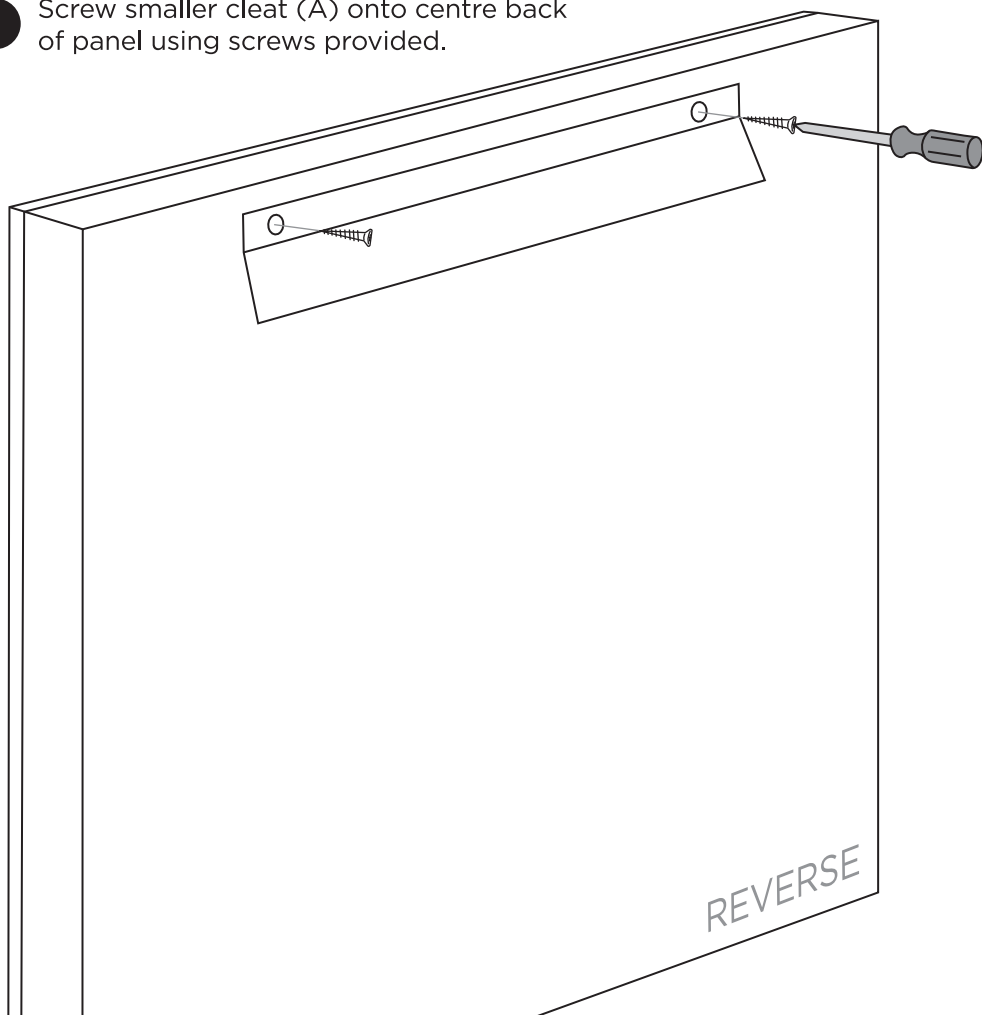
- 3** Slide panel down onto wall screws.



# FRENCH CLEATS

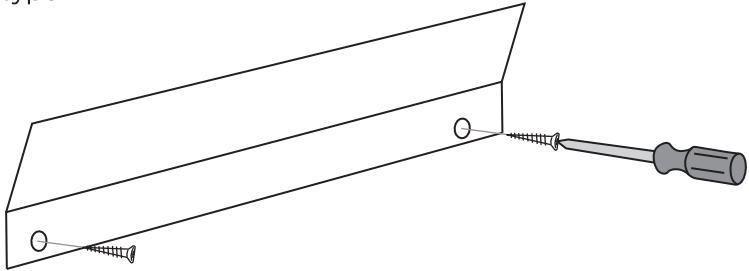


- 1** Screw smaller cleat (A) onto centre back of panel using screws provided.

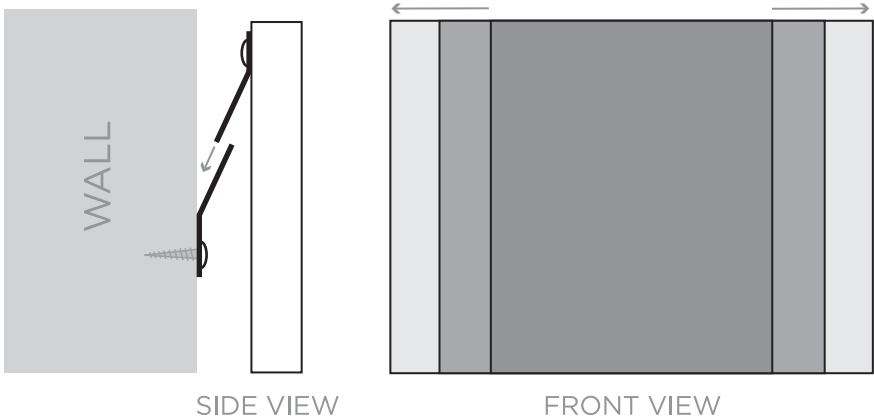




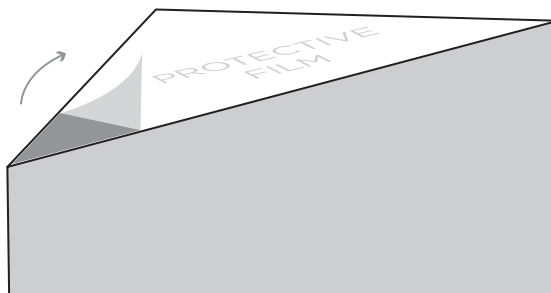
- 2** Attach larger cleat (B) to wall using correct plugs and screws for wall type.



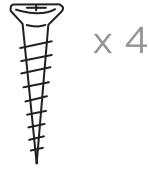
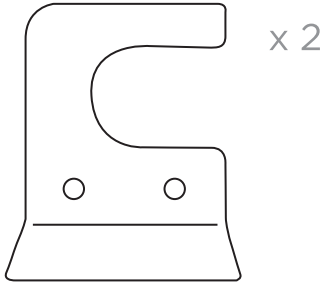
- 3** Slide panel down onto wall cleat so cleats interlock. Panel can be adjusted left or right without tipping.



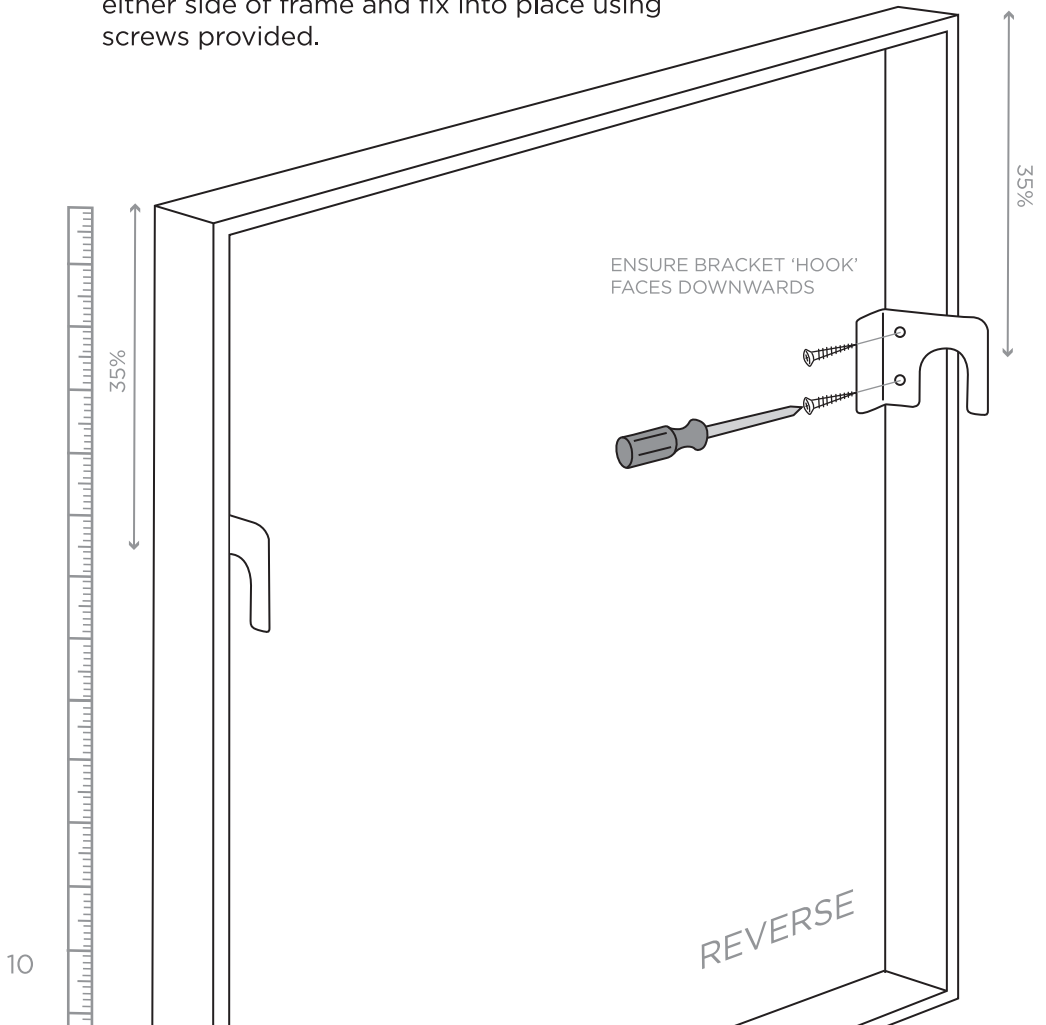
- 4** French cleats can also be used to fit corner Tri Trap panels. Remove plastic protective sheet from top and bottom of panel. Fix cleats as per previous instructions (1-3) on 2 sides.



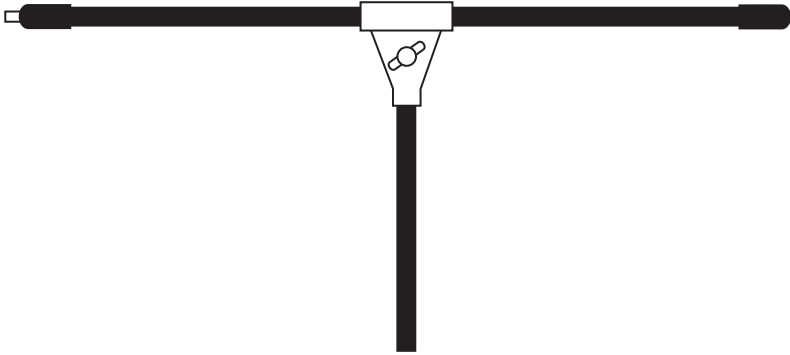
# BOOM STAND BRACKETS



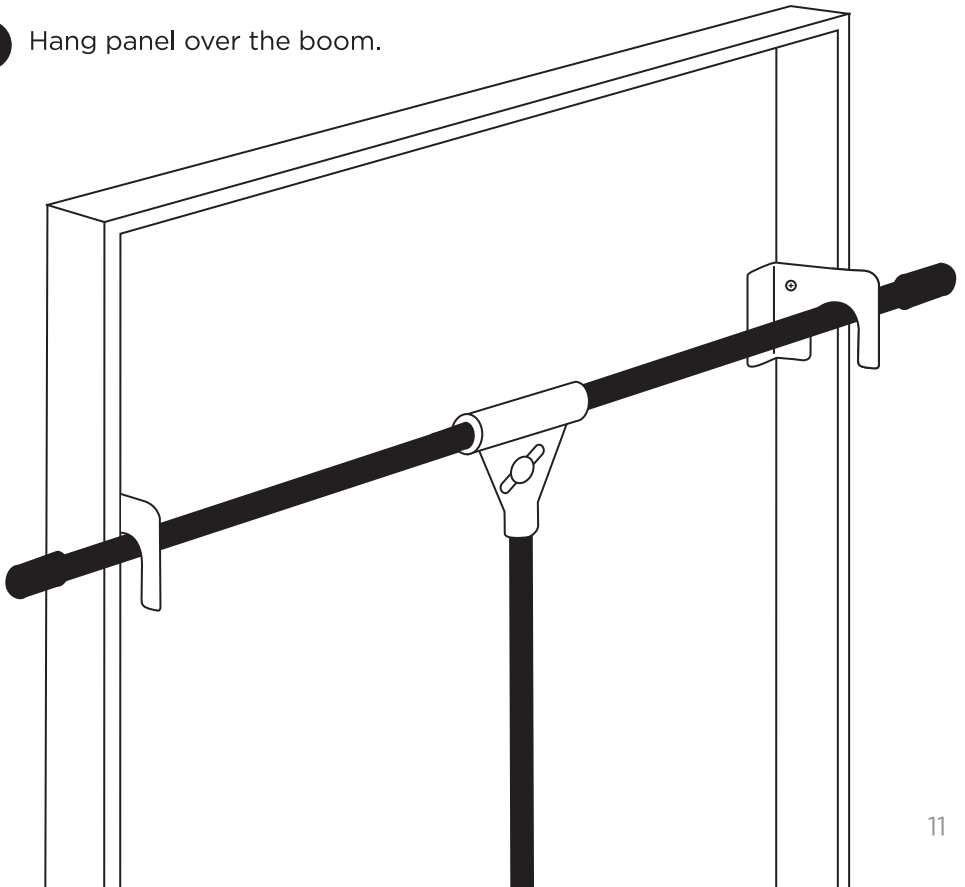
- 1 Measure and mark at 35% of panel height (from top of panel on both sides). Place brackets against either side of frame and fix into place using screws provided.



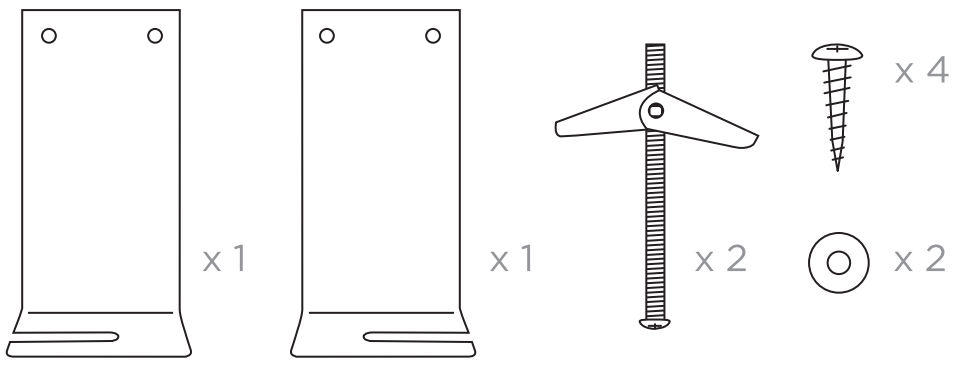
- 2** Set boom stand so the boom is horizontal and wider than the panel.



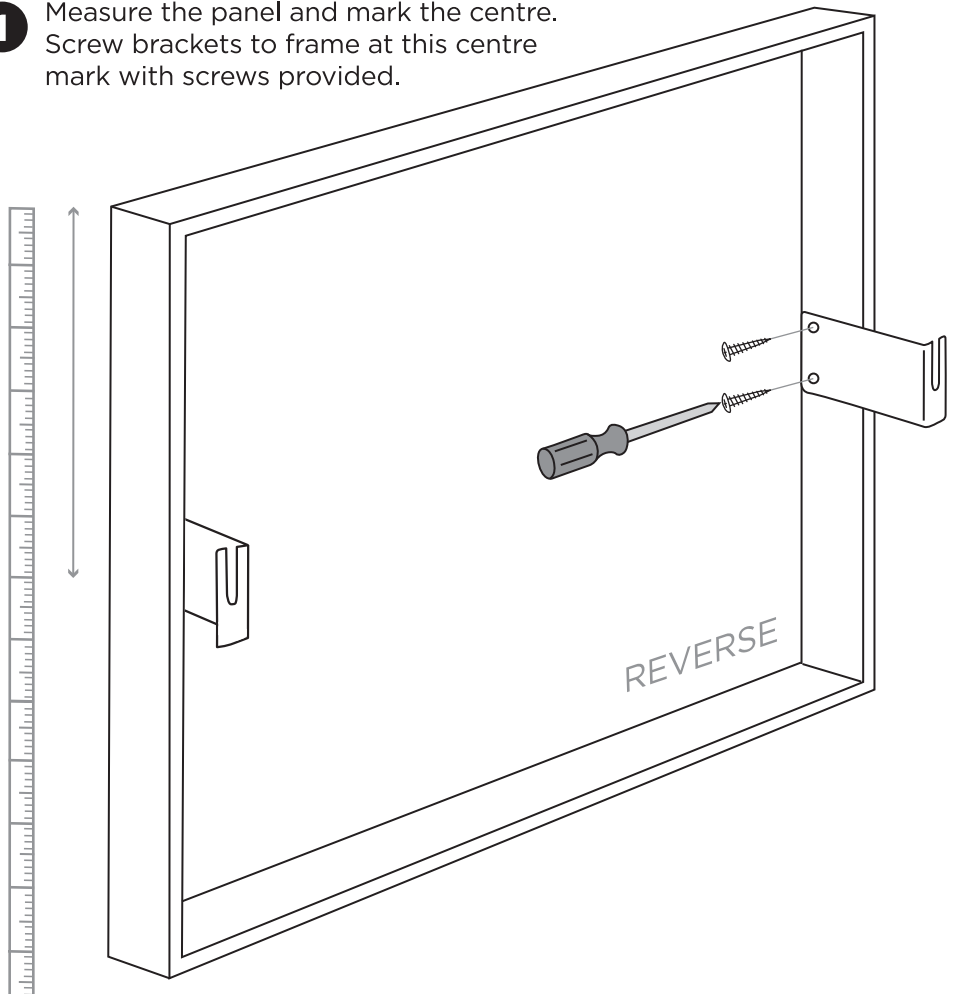
- 3** Hang panel over the boom.



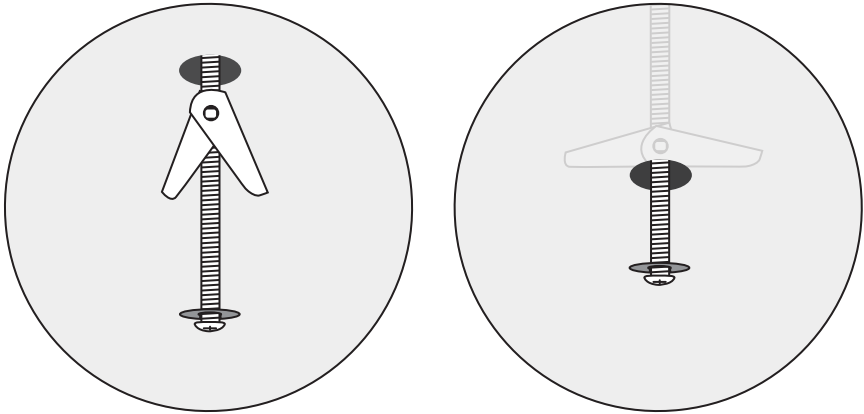
# CEILING CLOUD BRACKETS



**1** Measure the panel and mark the centre. Screw brackets to frame at this centre mark with screws provided.

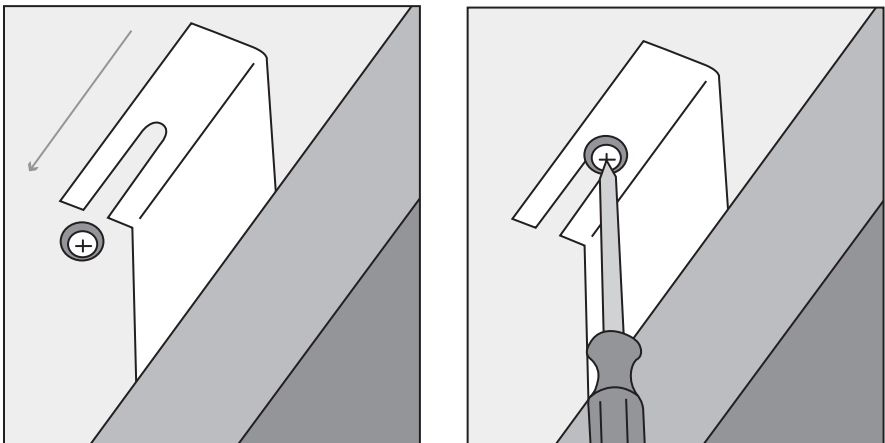


- 2** Measure between the 2 brackets and then mark this measurement on the ceiling where you'll need to install the toggle bolts. Use an 18mm drill bit to make the holes. Ensure the washer is next to the screw head on the toggle bolt then slide it up into the hole, pulling it down to secure.

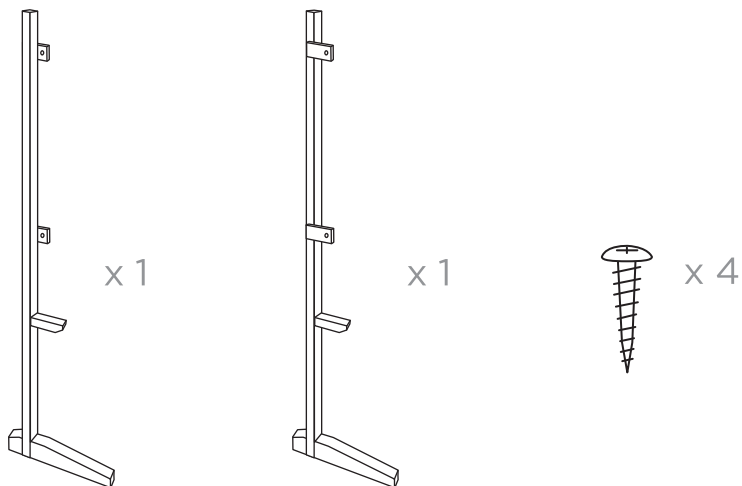


**PLEASE NOTE:** These toggle bolts are for **plasterboard ceilings only**. Please use correct fixings for ceiling type.

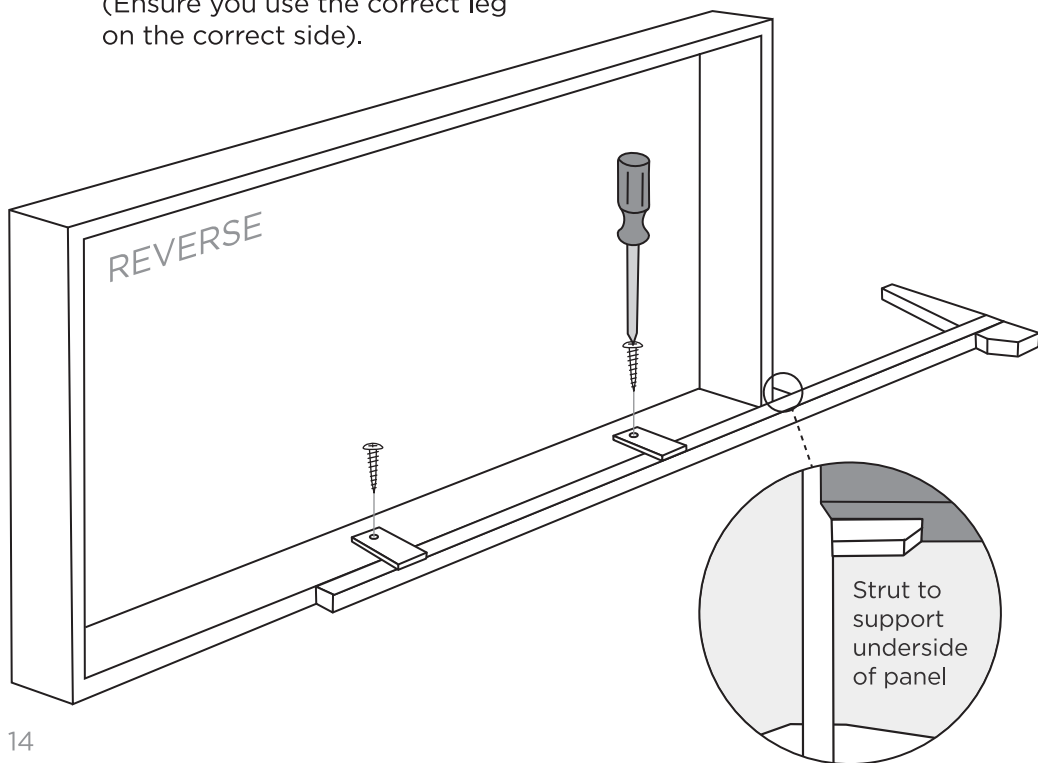
- 3** Lift panel up into position, slide brackets onto screws between washers and ceiling. Tighten both screws to secure panel in place.



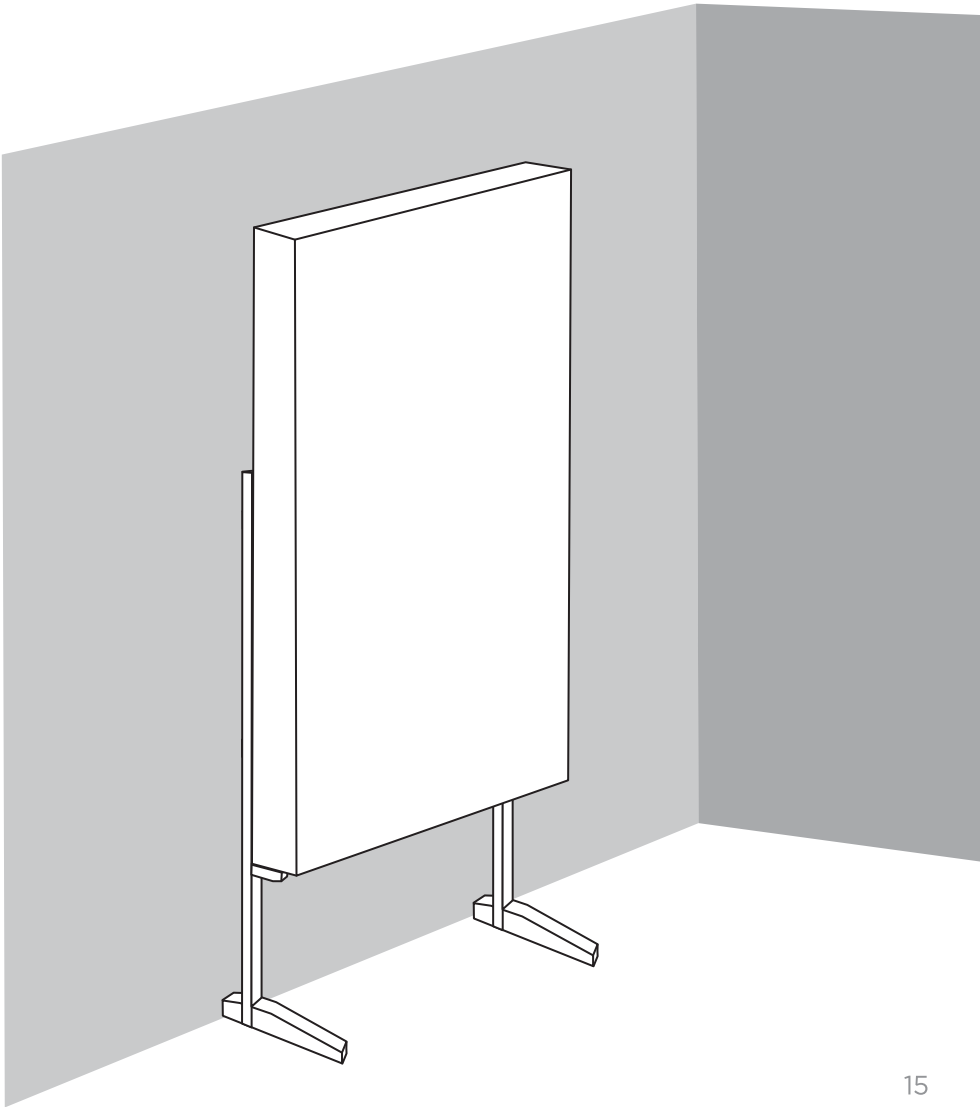
# WOODEN LEGS STAND



- 1** Place panel on its side. Position leg next to panel with foot facing towards front and support strut flush against bottom of panel. Screw in place using screws provided. (Ensure you use the correct leg on the correct side).

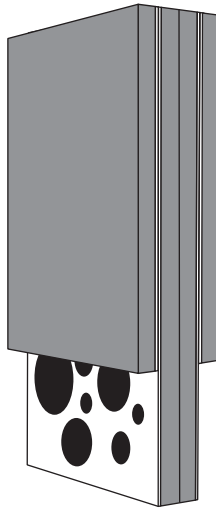


- 2** Flip the panel over and repeat the steps on the other side.
- 3** Stand the panel up on its legs and place against a wall for extra support.

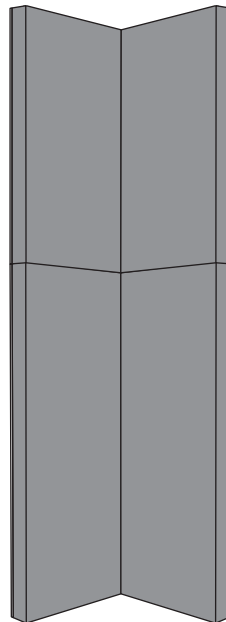
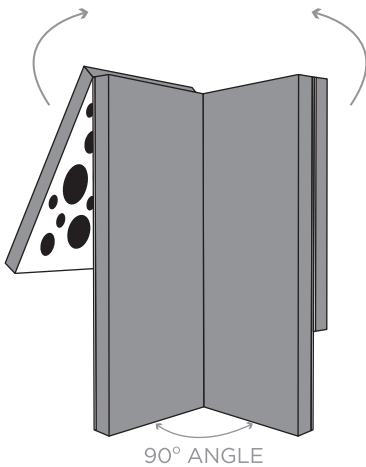


# PORTABLE ISOLATION BOOTH

- 1 Your booth will arrive folded.

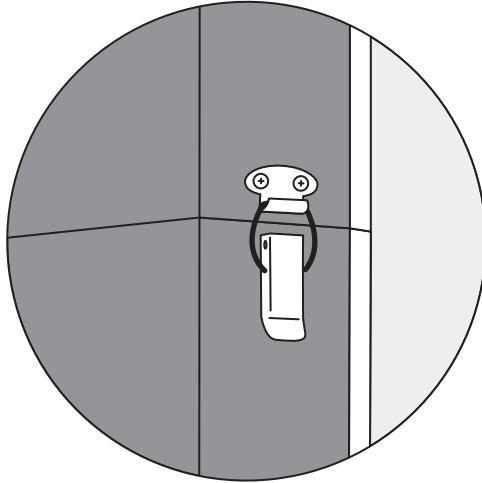


- 2 To set up, simply pull sides apart to a 90° angle with hinge at back and flip both sides up vertically.

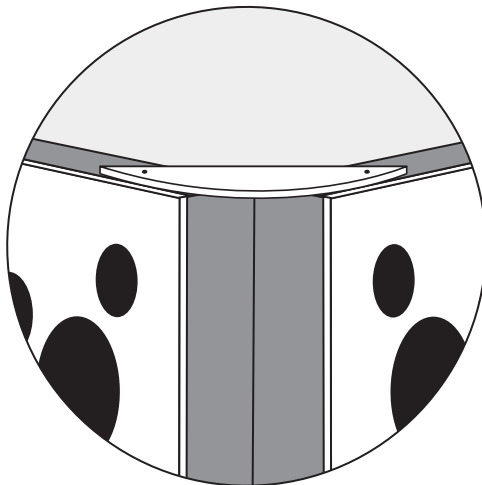




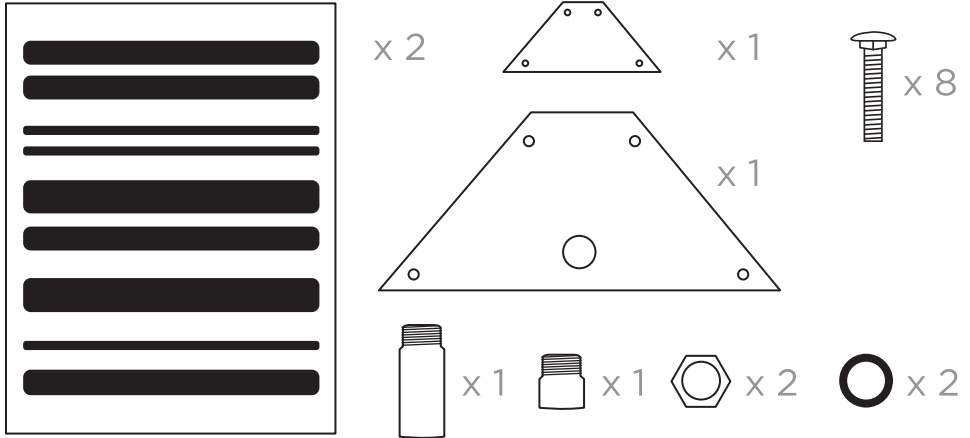
- 3** Secure top and bottom panels with side latches.



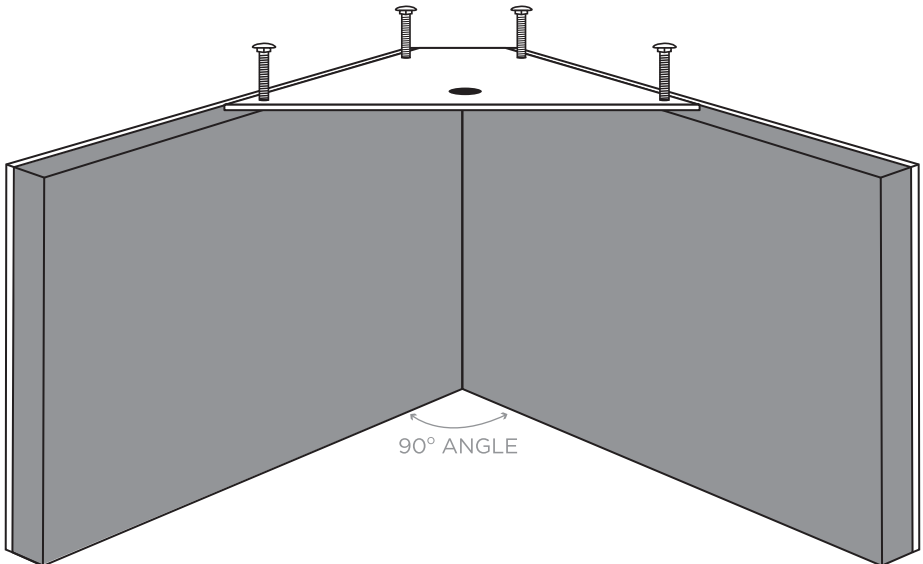
- 4** Position the hook and loop veneer piece to straddle the top 2 panels for additional support.



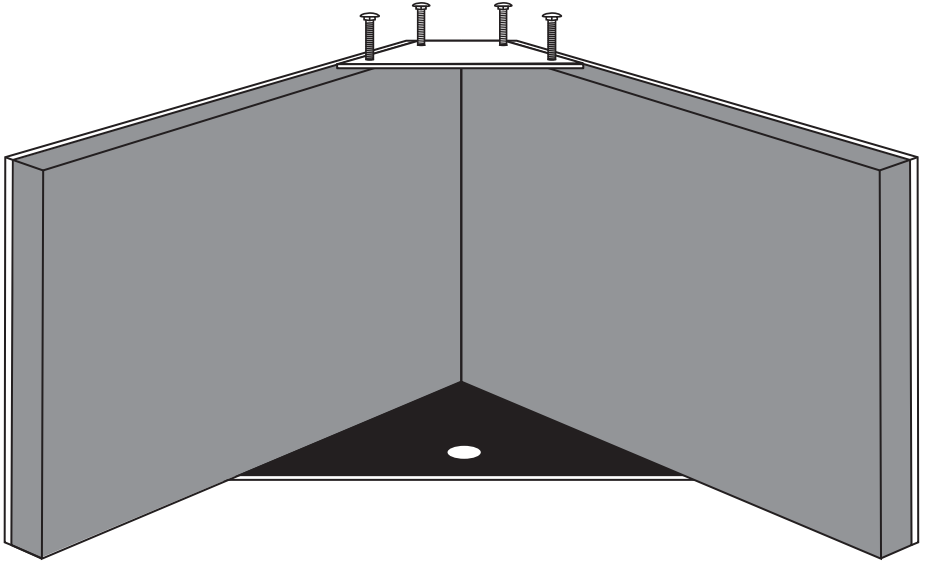
# VOCAL ISOLATION (VISO) BOOTH



- 1** Fit the larger bracket (black side facing into the panels with the large hole underneath) onto the 2 panels, fitting bolts provided into the pre-drilled holes.

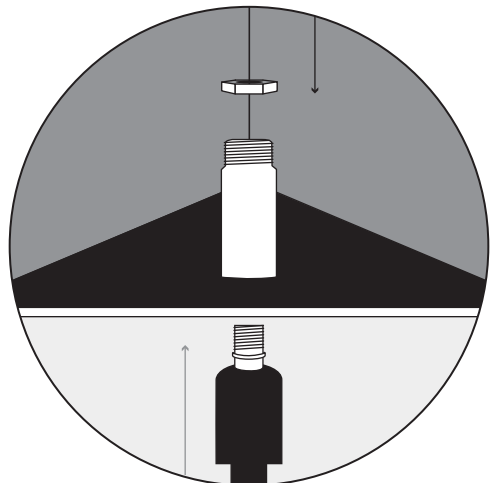


- 2** Flip panels over and fit the smaller bracket (black side facing into the panels) to the top, fitting bolts provided into the pre-drilled holes.

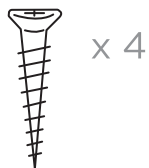
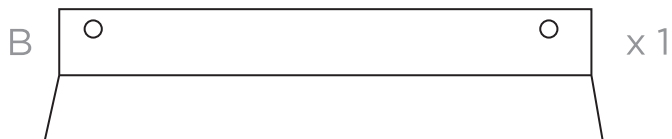
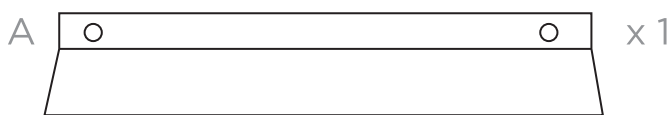


- 3** Your mic stand should include an additional washer. Use this to attach the VISO booth to your mic stand by tightening the washer and spacer around the bottom bracket. (If using a 3/8-16" mic stand, the gold adapter will also be required).

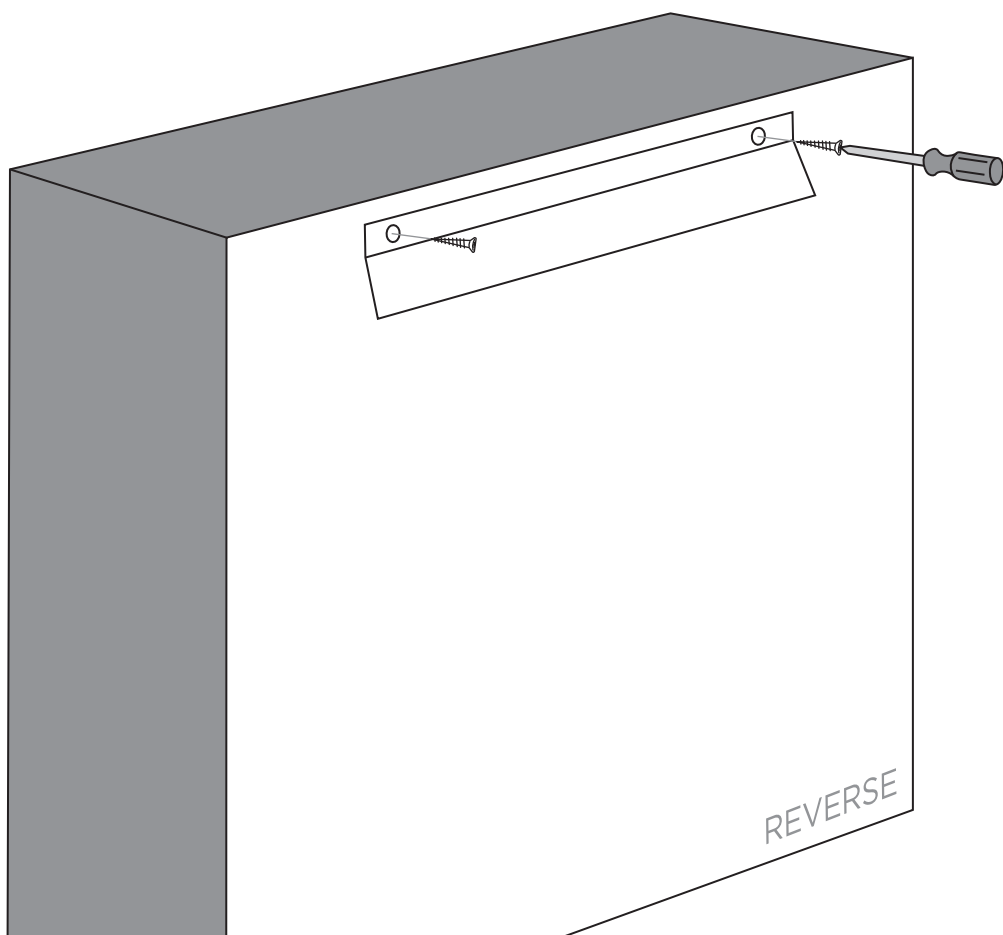
Finally, mount your microphone to the spacer using the washer provided.



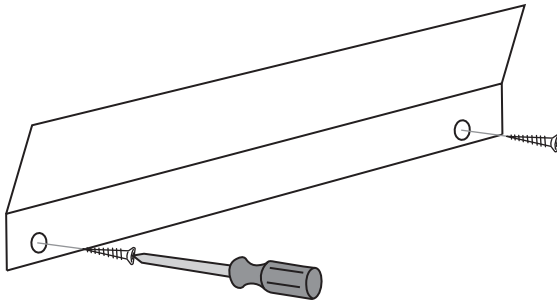
# SOUND BLOCK - WALL MOUNTED



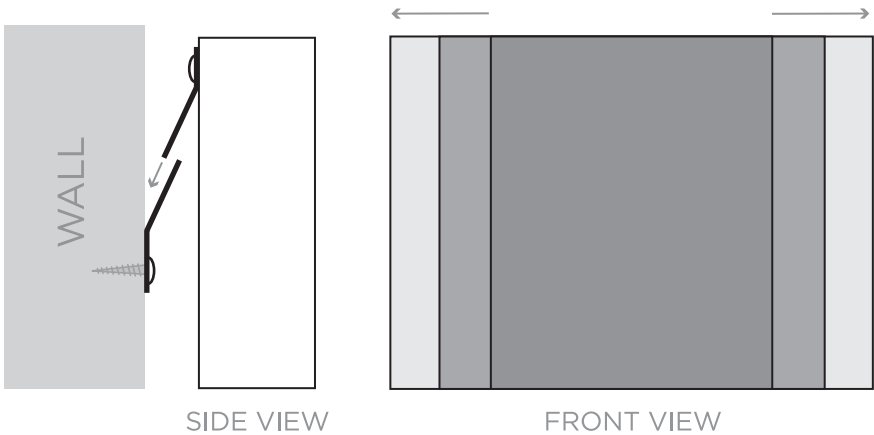
- 1** Screw smaller cleat (A) onto centre back of panel using screws provided.



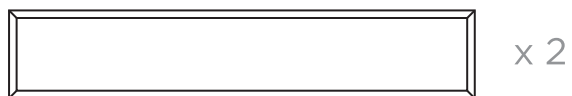
- 2** Attach larger cleat (B) to wall using correct plugs and screws for wall type.



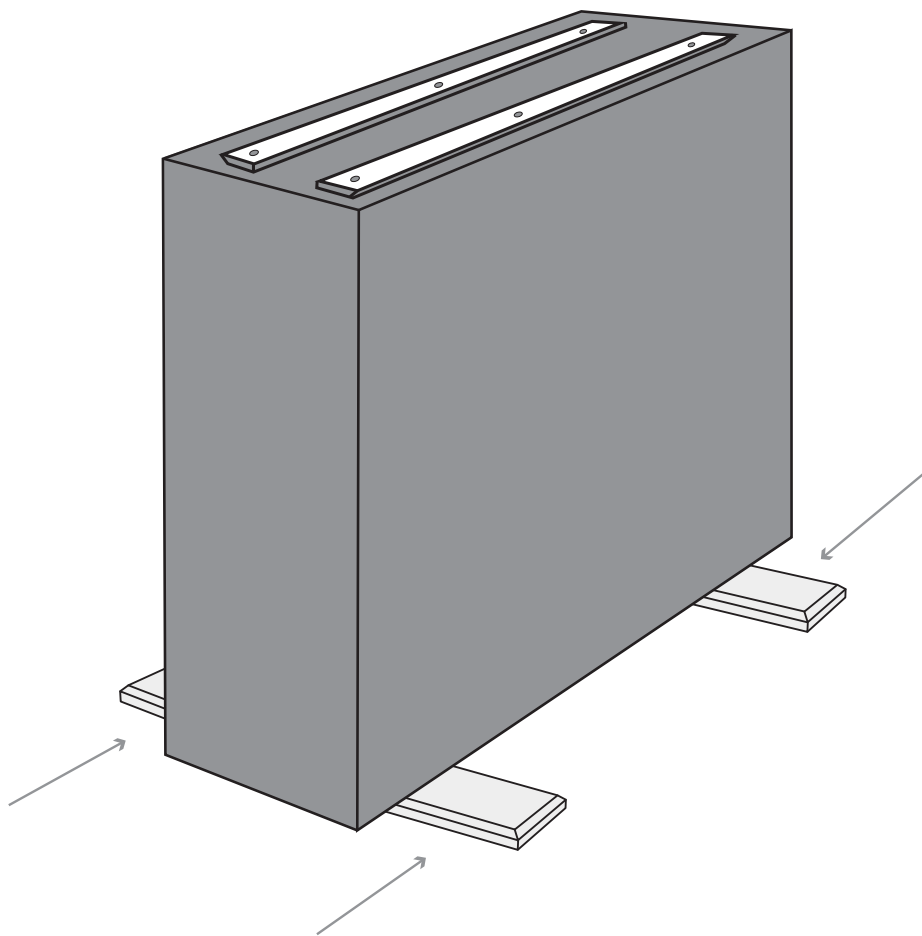
- 3** Slide panel down onto wall cleat so cleats interlock. Panel can be adjusted left or right without tipping.



# SOUND BLOCK - FREESTANDING

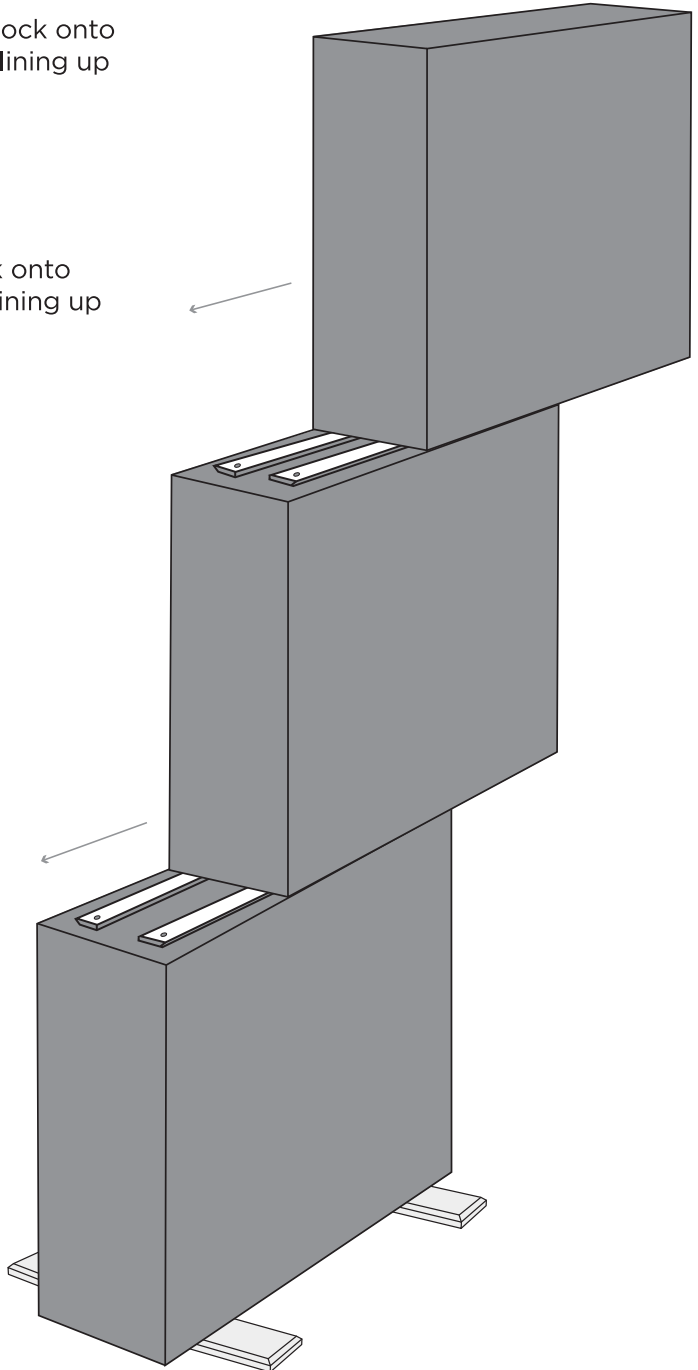


- 1 Slide feet onto underside of bottom block. If feet not required place block directly onto floor.

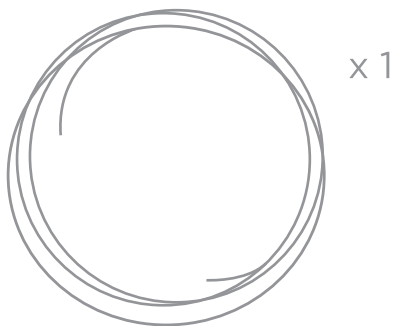


**2** Slide middle block onto bottom block, lining up wooden rails.

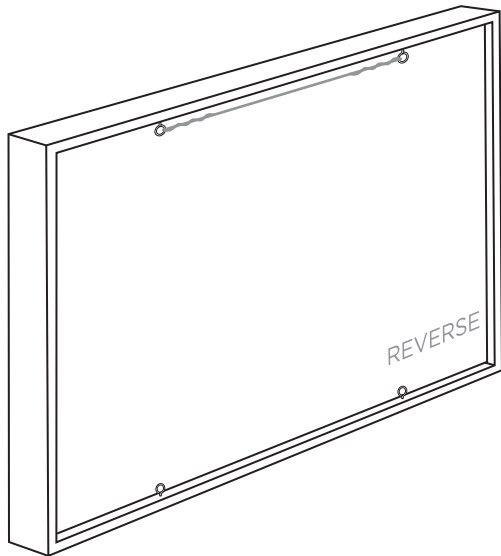
**3** Slide top block onto middle block, lining up wooden rails.



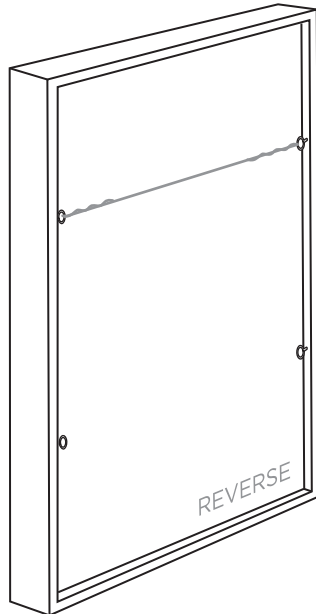
# PICTURE WIRE & HOOKS



- 1** Thread wire through pre-installed eye hooks, as shown, and tie 3 or 4 knots on each side. Panel can be hung landscape or portrait.
- 2** Use wall fixings appropriate to the wall type and hang panel in place.



LANDSCAPE

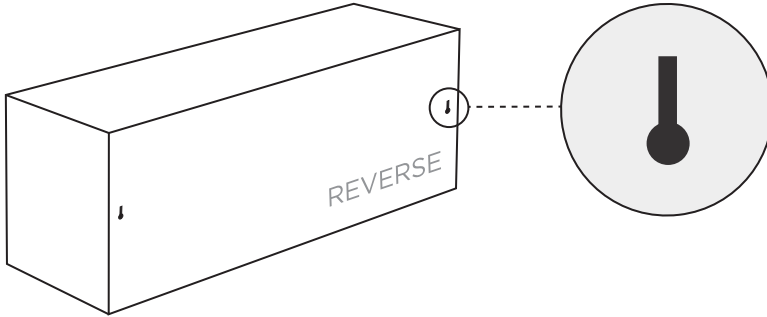


PORTRAIT

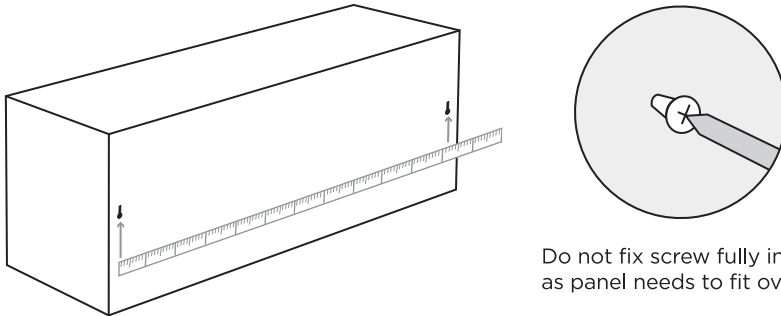


# SOFFIT KEYHOLES

- 1 Our bass traps have built in keyhole slots on either side. Stickers indicate where the keyhole is so you can cut through the fabric covering to expose the hole.

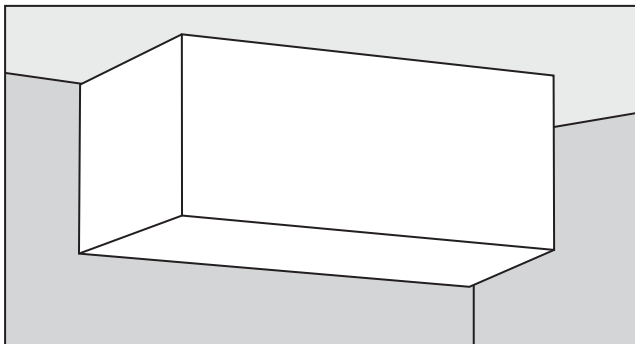


- 2 Measure width between centres of keyholes and mark on wall. Use appropriate screws and plugs for wall type. Check screw head fits through keyhole and along channel comfortably before fixing.

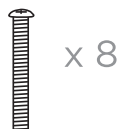
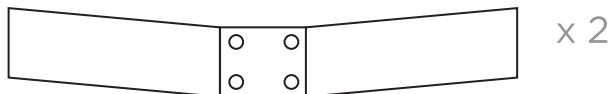


Do not fix screw fully into wall as panel needs to fit over it.

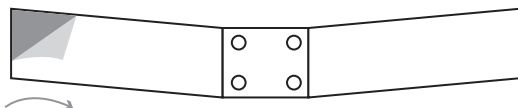
- 3 Push panel onto screws and pull downwards to secure into place.



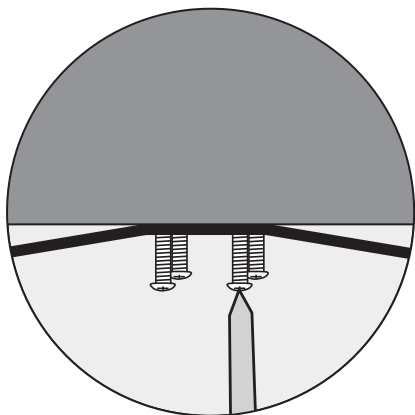
# FREESTANDING PANEL FEET



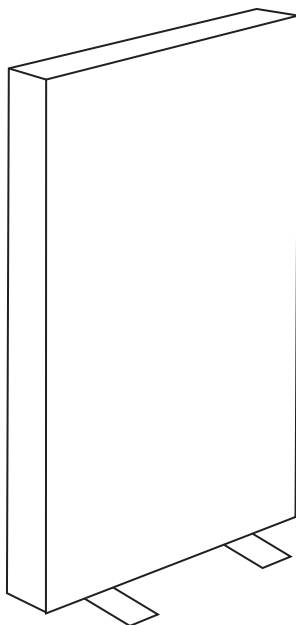
- 1 Remove protective film covering from feet.



- 2 Screws come pre-drilled in the panel. Turn panel onto side, undo screws, line up pre-drilled foot holes with panel holes and screw into place securely.



- 3 Stand upright on feet.



For a full list of which fixings are required for each of our acoustic panels please go to:

**[gikacoustics.co.uk](http://gikacoustics.co.uk)**

*OR*

Speak to one of our experts on:

**+44 (0) 20 3815 8608**

*OR*

check out our instructional videos on our You Tube channel.



GIK Acoustics Europe Ltd  
Unit F, Perseverance Mills,  
Giles Street, Bradford, BD6 3HS

**+44 (0) 203 815 8608**  
**[customerservice.eu@gikacoustics.com](mailto:customerservice.eu@gikacoustics.com)**  
**[gikacoustics.co.uk](http://gikacoustics.co.uk)**

